



## **Solar and Photovoltaic**

Solar fasteners

**Imprint**

Publisher:

EJOT Baubefestigungen GmbH  
57334 Bad Laasphe

Layout and realisation:

EJOT Baubefestigungen GmbH  
57334 Bad Laasphe

Legal Notes

EJOT products undergo continuous further development. Technical specifications, ranges and prices are subject to changes. For the latest information about our products, please visit our online shop at [www.ejot.de/bau](http://www.ejot.de/bau)

During planning and use of our products, please comply with the accepted rules of technology, construction legislation and the relevant safety regulations. The approvals granted by the building authorities for our products can be downloaded from [www.ejot.com](http://www.ejot.com).

General terms and conditions:

Our general terms and conditions can also be found at [www.ejot.com](http://www.ejot.com) (footer: Terms & Conditions)

©2019 by EJOT Baubefestigungen GmbH

EJOT®, ejotherrm®, Delta PT® und PT® are registered trademarks of EJOT GmbH & Co. KG.

CRONIMAKS®, Corremaks®, EJOFAST®, Dabo®, ECOmate® FR-variotool® and Solar Ready® are registered trademarks of EJOT Building Fasteners GmbH.

SDS plus® is a registered trademark of Robert Bosch GmbH.

DEKTITE® is a registered trademark of Deko Industries Pty. Ltd.

TORX® is a registered trademark of Acument Intellectual Properties, LLC.

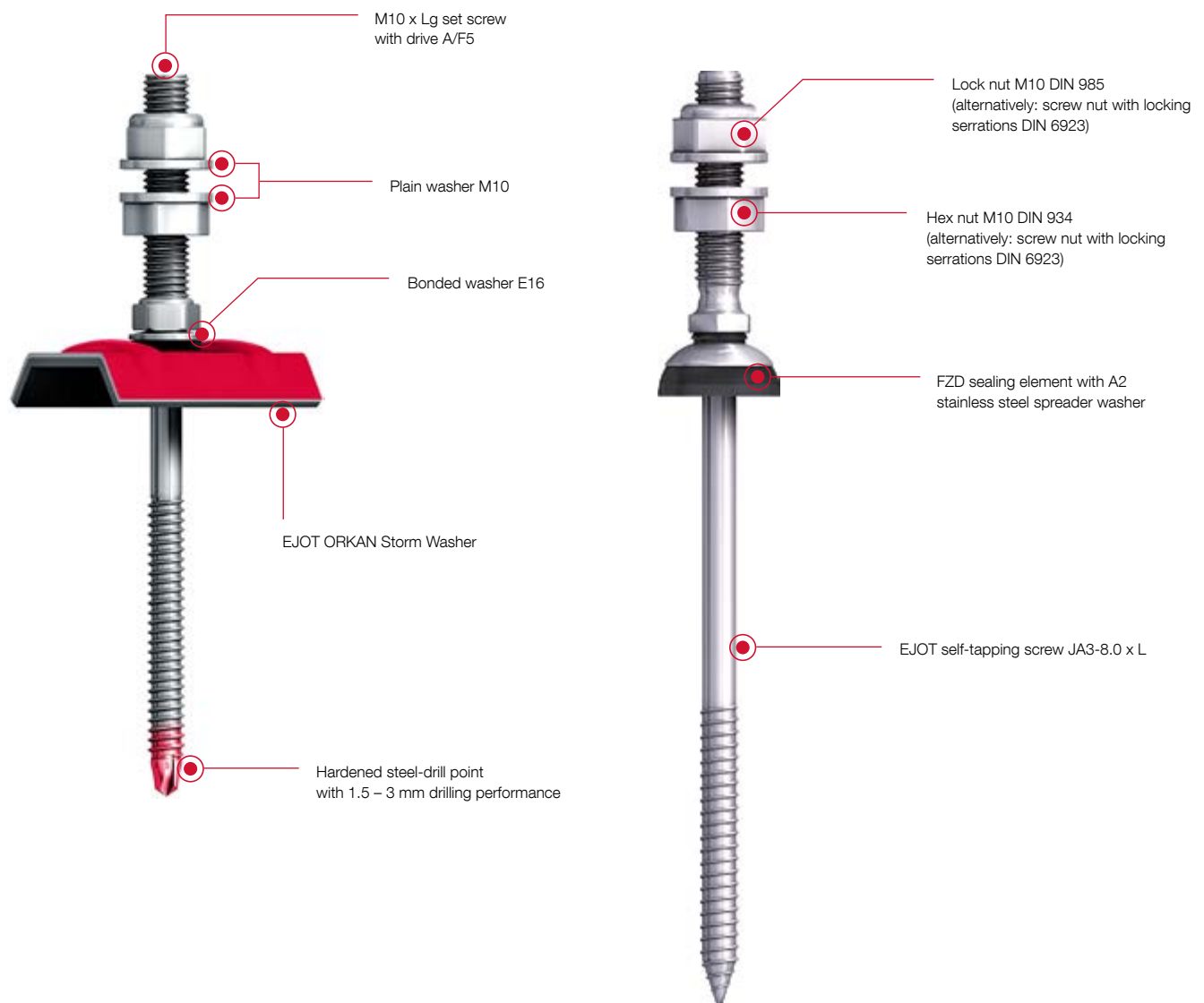
## EJOT® Solar Fastening System

The EJOT Solar Fastening System is the first stainless steel fastening element approved by the German Institute for Construction Technology (DIBt) with which photovoltaic installations can be mounted to trapezoidal steel profiles and sandwich panel roofs.

Pre-drilling is a thing of the past - the new EJOT Solar Fastening System made of stainless steel A2 (AISI 304) or A4 (AISI 316) features a hardened steel drill point. Thread forming and fastening is done in one work step.

### Benefits

- Quick retrofitting on existing roofs
- No additional holes in the roof cladding
- Use of proven sealing systems
- No special installation tools necessary
- Extremely safe fastening with direct embedment into the substructure





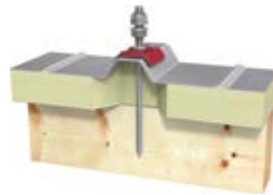
Product selection depending on roof structure

**JA thread for timber substructures:**



**EJOT® JA3-SB-8.0xL**

with FZD sealing element  
for fibre cement roofing



**EJOT® JA3-SB-8.0xL**

with sealing washer E16  
+ ORKAN storm washer  
for sandwich panels



**EJOT® JA3-SB-8.0xL**

with sealing washer E16  
+ ORKAN storm washer  
for trapezoidal profiles

**JT thread for steel substructures:**



**EJOT® JT3-SB-8.0xL**

with FZD sealing element  
for fibre cement roofing



**EJOT® JT3-SB-8.0xL**

with sealing washer E16  
+ ORKAN storm washer  
for sandwich panels





**EJOT® JT3-SB-8.0xL**

with sealing washer E16  
+ ORKAN storm washer  
for trapezoidal profiles

## EJOT® Solar Fastening System JT3-SB-8.0xL



Length Screw [mm]	 [mm]		Price/1 [EUR]	Order description	Article number	EAN
<b>Set screw M10 x 50 mm</b>						
85	20-62	25		Set JT3-SB-3-8.0x85/M10x50 E16 DIN 934	3 340 891 905	4061245021201
115	50-92	25		Set JT3-SB-3-8.0x115/M10x50 E16 DIN 934	3 341 191 905	4061245021218
155	90-132	25		Set JT3-SB-3-8.0x155/M10x50 E16 DIN 934	3 341 591 905	4061245021225
195	130-172	25		Set JT3-SB-3-8.0x195/M10x50 E16 DIN 934	3 341 991 905	4061245021232
<b>Set screw M10 x 70 mm</b>						
85	20-62	25		Set JT3-SB-3-8.0x85/M10x70 E16 DIN 934	3 340 891 907	4061245041117 <b>NEW</b>
115	50-92	25		Set JT3-SB-3-8.0x115/M10x70 E16 DIN 934	3 341 191 907	4061245041094 <b>NEW</b>
155	90-132	25		Set JT3-SB-3-8.0x155/M10x70 E16 DIN 934	3 341 591 907	4061245041070 <b>NEW</b>
195	130-172	25		Set JT3-SB-3-8.0x195/M10x70 E16 DIN 934	3 341 991 907	4061245041056 <b>NEW</b>

**Application range**

- For fastening elevated solar and photovoltaic installations to steel substructures 1.5 - 3 mm
- Can also be used for steel substructure  $\geq 3.0$  mm if pre-drilled
- For high-strength steel substructures up to S450GD

**Characteristics**

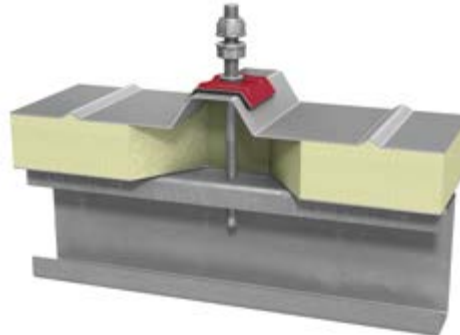
- A2 stainless steel
- With sealing washer E16 + ORKAN storm washer

**Benefits**

- Quick retrofitting on existing roofs
- No additional holes in the roof cladding
- Use of proven sealing systems
- No special installation tools necessary
- Extremely safe fastening with direct embedment into the substructure

**Technical specifications**

Screw diameter	8.0 mm
Drive	Hexagon A/F5
Installation rotation speed	max. 1300 rpm

**Drill hole-diameter**

Solar Fastening System JT3-SB-3-8.0xL	Thickness of substructure (Steel S235 - EN 10025-1) [mm]				
	1.5 < 3.0	3.0 < 5.0	5.0 < 7.5	7.5 < 10	$\geq 10$
$\emptyset$ [mm]	no pre-drilling	6.8	7.0	7.2	7.4

**Characteristic values for the load-bearing capacity**

Solar Fastening System JT3-SB-3-8.0xL	Thickness of substructure (Steel S235 - EN 10025-1) [mm]			
	1.5	2.0	3.0	$\geq 4$
$N_{R,k}$ [kN]	2.20	3.4	5.8	6.8



**YouTube**

See the EJOT Solar Fastening System in action:

<https://youtu.be/AnTV9Pyubqc>

**EJOT® Solar Fastening System JA3-SB-8.0xL**



Length Screw [mm]		Price/1 [EUR]	Order description	Article number	EAN
<b>Set screw M10 x 50 mm</b>					
80	25		Set JA3-SB-8.0x80/50 E16 DIN 934	3 150 891 905	4061245016924
100	25		Set JA3-SB-8.0x100/50 E16 DIN 934	3 151 091 905	4061245016887
130	25		Set JA3-SB-8.0x130/50 E16 DIN 934	3 151 391 905	4061245016849
150	25		Set JA3-SB-8.0x150/50 E16 DIN 934	3 151 591 905	4061245016801
180	25		Set JA3-SB-8.0x180/50 E16 DIN 934	3 151 891 905	4061245016764
200	25		Set JA3-SB-8.0x200/50 E16 DIN 934	3 152 091 905	4061245016726
<b>Set screw M10 x 70 mm</b>					
80	25		Set JA3-SB-8.0x80/70 E16 DIN 934	3 150 891 907	4061245016917
100	25		Set JA3-SB-8.0x100/70 E16 DIN 934	3 151 091 907	4061245016870
130	25		Set JA3-SB-8.0x130/70 E16 DIN 934	3 151 391 907	4061245016832
150	25		Set JA3-SB-8.0x150/70 E16 DIN 934	3 151 591 907	4061245016795
180	25		Set JA3-SB-8.0x180/70 E16 DIN 934	3 151 891 907	4061245016757
200	25		Set JA3-SB-8.0x200 /70 E16 DIN 934	3 152 091 907	4061245016719

Order information: Also available with screw nuts with locking serrations DIN 6923

**Application range**

- For fastening elevated solar and photovoltaic installations to timber substructures
- Suitable for metal trapezoidal and corrugated profile sheets and sandwich panels

**Characteristics**

- A2 stainless steel
- With sealing washer E16 + ORKAN storm washer

**Accessories**



Order description		Price/1 [EUR]	Article number	EAN
Weldable flat steel 40x5x110 A2 / hole 10 mm	25		3 110 001 000	4061245017600

**Technical specifications**

Screw diameter	8.0 mm
Drive	Hexagon A/F5

**Note**

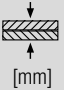

The solar fastening system components are tailored to your project. Further versions on request!

**Drill hole-diameter**

Solar Fastening System	Thickness of the substructure [mm]					
	Steel				Timber	
	3.0... < 5.0	5.0... < 7.5	7.5... < 10	≥ 10	≥ 32	≥ 40
JT3-SB-3-8.0xL	6.8	7.0	7.2	7.4	-	-
JA3-SB-8.0xL	-	-	-	-	5.5	5.5
JA3-SB-10.0xL	-	-	-	-	-	7.0

## EJOT® Solar Fastening System JT3-SB-8.0xL



Length Screw [mm]	 [mm]		Price/1 [EUR]	Order description	Article number	EAN
<b>Set screw M10 x 50 mm</b>						
85	20-62	25		Set JT3-SB-3-8.0x85/M10x50 FZD DIN 934	3 340 898 905	4061245021249
115	50-92	25		Set JT3-SB-3-8.0x115/M10x50 FZD DIN 934	3 341 198 905	4061245021256
155	90-132	25		Set JT3-SB-3-8.0x155/M10x50 FZD DIN 934	3 341 598 905	4061245021263
195	130-172	25		Set JT3-SB-3-8.0x195/M10x50 FZD DIN 934	3 341 998 905	4061245021270
<b>Set screw M10 x 70 mm</b>						
85	20-62	25		Set JT3-SB-3-8.0x85/M10x70 FZD DIN 934	3 340 898 907	4061245041100 <b>NEW</b>
115	50-92	25		Set JT3-SB-3-8.0x115/M10x70 FZD DIN 934	3 341 198 907	4061245041087 <b>NEW</b>
155	90-132	25		Set JT3-SB-3-8.0x155/M10x70 FZD DIN 934	3 341 598 907	4061245041063 <b>NEW</b>
195	130-172	25		Set JT3-SB-3-8.0x195/M10x70 FZD DIN 934	3 341 998 907	4061245041049 <b>NEW</b>

**Application range**

- For fastening elevated solar and photovoltaic installations to steel substructures 1.5 - 3 mm
- Can also be used for steel substructure  $\geq 3.0$  mm if pre-drilled
- For high-strength steel substructures up to S450GD

**Characteristics**

- A2 stainless steel
- With FZD sealing washer

**Benefits**

- Quick retrofitting on existing roofs
- No additional holes in the roof cladding
- Use of proven sealing systems
- No special installation tools necessary
- Extremely safe fastening with direct embedment into the substructure

**Technical specifications**

Screw diameter	8.0 mm
Drive	Hexagon A/F5
Installation rotation speed	max. 1300 rpm

**Drill hole-diameter**

Solar Fastening System JT3-SB-3-8.0xL	Thickness of substructure (Steel S235 - EN 10025-1) [mm]				
	1.5 < 3.0	3.0 < 5.0	5.0 < 7.5	7.5 < 10	$\geq 10$
$\emptyset$ [mm]	no pre-drilling	6.8	7.0	7.2	7.4

**Characteristic values for the load-bearing capacity**

Solar Fastening System JT3-SB-3-8.0xL	Thickness of substructure (Steel S235 - EN 10025-1) [mm]			
	1.5	2.0	3.0	$\geq 4$
$N_{R,k}$ [kN]	2.20	3.4	5.8	6.8



**YouTube**

See the EJOT Solar Fastening System in action:

<https://youtu.be/AnTV9Pyubqc>

EJOT® Solar Fastening System JA3-SB-8.0xL



Length Screw [mm]		Price/1 [EUR]	Order description	Article number	EAN
<b>Set screw M10 x 50 mm</b>					
80	25		Set JA3-SB-8.0x80/50 FZD DIN 934	3 150 898 905	4061245016900
100	25		Set JA3-SB-8.0x100/50 FZD DIN 934	3 151 098 905	4061245016863
130	25		Set JA3-SB-8.0x130/50 FZD DIN 934	3 151 398 905	4061245016825
150	25		Set JA3-SB-8.0x150/50 FZD DIN 934	3 151 598 905	4061245016788
180	25		Set JA3-SB-8.0x180/50 FZD DIN 934	3 151 898 905	4061245016740
200	25		Set JA3-SB-8.0x200/50 FZD DIN 934	3 152 098 905	4061245016702
<b>Set screw M10 x 70 mm</b>					
80	25		Set JA3-SB-8.0 x80/70 FZD DIN 934	3 150 898 907	4061245016894
100	25		Set JA3-SB-8.0x100/70 FZD DIN 934	3 151 098 907	4061245016856
130	25		Set JA3-SB-8.0x130/70 FZD DIN 934	3 151 398 907	4061245016818
150	25		Set JA3-SB-8.0x150/70 FZD DIN 934	3 151 598 907	4061245016771
180	25		Set JA3-SB-8.0x180/70 FZD DIN 934	3 151 898 907	4061245016733
200	25		Set JA3-SB-8.0x200/70 FZD DIN 934	3 152 098 907	4061245016696

Order information: Also available with screw nuts with locking serrations DIN 6923

**Application range**

- For fastening elevated solar and photovoltaic installations to timber substructures
- Suitable for corrugated fibre cement profile sheet

**Characteristics**

- A2 stainless steel
- With FZD sealing washer

**Technical specifications**

Screw diameter	8.0 mm
Drive	Hexagon A/F5

**Note**

The solar fastening system components are tailored to your project. Further versions on request!

**Accessories**

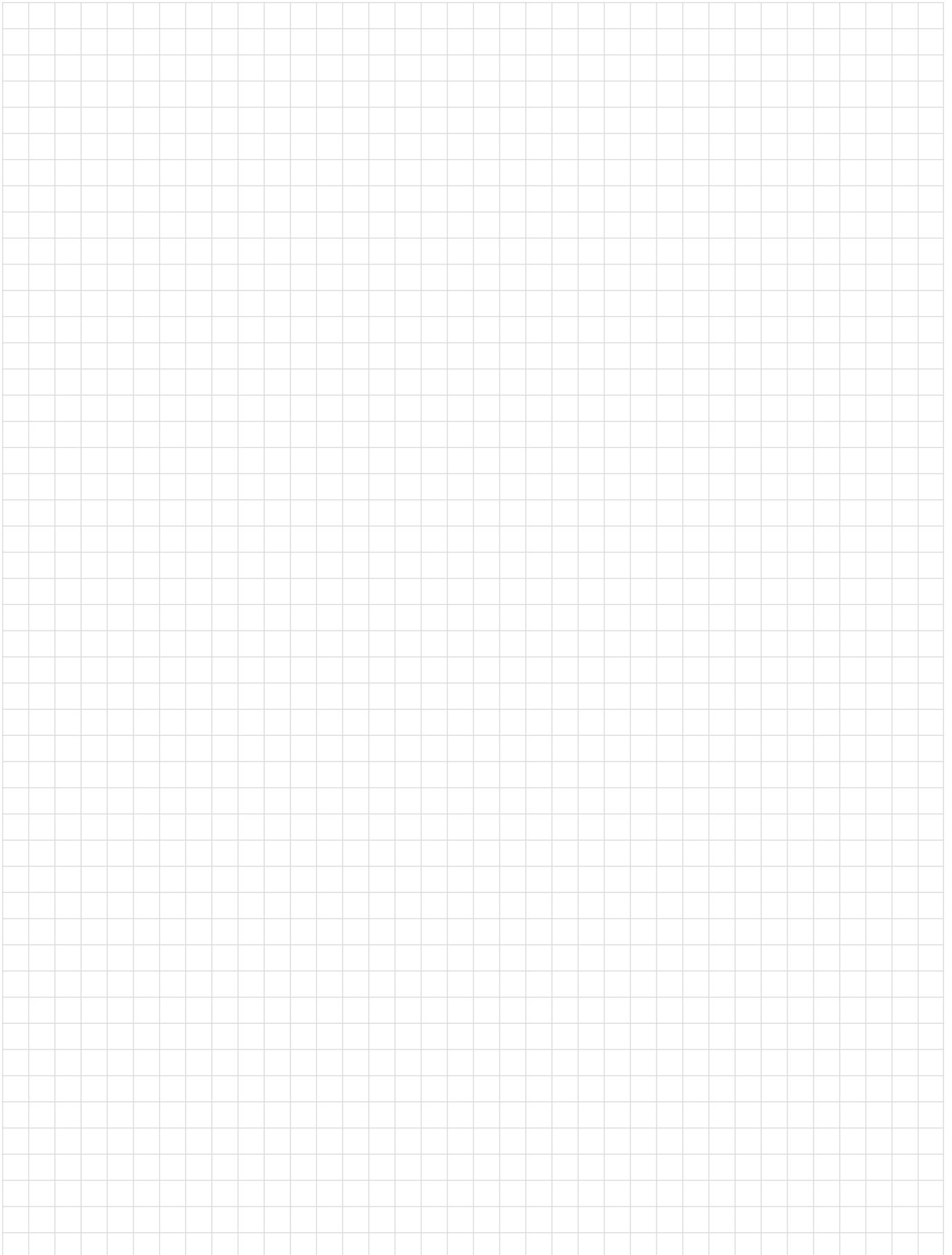


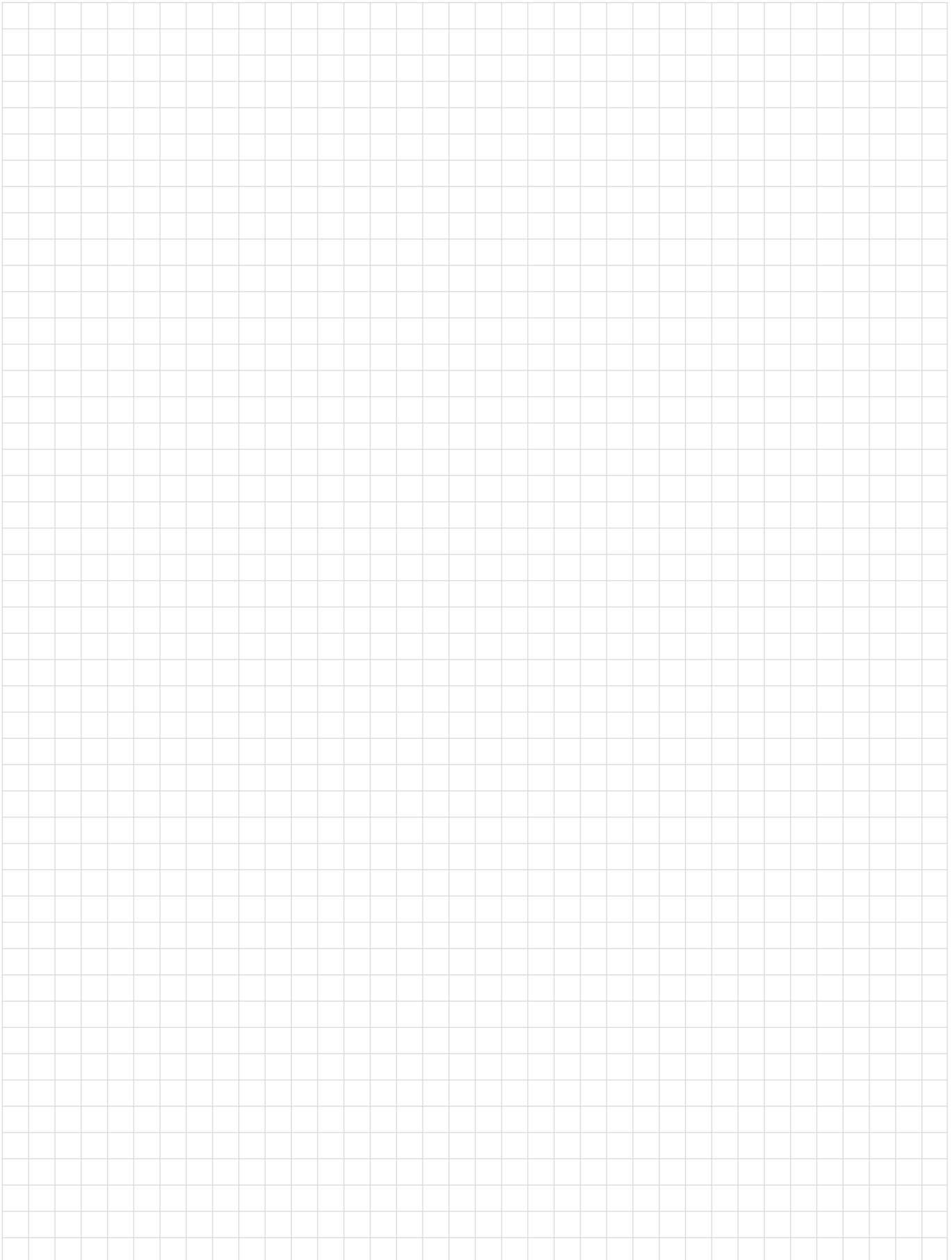
Order description		Price/1 [EUR]	Article number	EAN
Weldable flat steel 40x5x110 A2 / hole 10 mm	25		3 110 001 000	4061245017600

**Drill hole-diameter**

Solar Fastening System	Thickness of the substructure [mm]					
	Steel				Timber	
	3.0... < 5.0	5.0... < 7.5	7.5... < 10	≥ 10	≥ 32	≥ 40
JT3-SB-3-8.0xL	6.8	7.0	7.2	7.4	-	-
JA3-SB-8.0xL	-	-	-	-	5.5	5.5
JA3-SB-10.0xL	-	-	-	-	-	7.0







 **AUSTRIA**  
EJOT Austria GmbH & Co KG  
Grazer Vorstadt 146  
A-8570 Voitsberg  
Phone: +43 3142 2 76 00-0  
Fax: +43 3142 2 76 00-30  
E-mail: info@ejot.at  
Internet: www.ejot.at

 **BALTIC STATES**  
UAB EJOT Baltic  
Titnago g. 19  
LT-02300 Vilnius  
Phone: +370 5 23 11-437  
Fax: +370 5 23 11-439  
E-mail: info@ejot.lt  
Internet: www.ejot.lt

 **BENELUX**  
EJOT Benelux bvba/sprl  
Reedonk 19-1  
B-2880 Bornem  
Phone: +32 3 740 79 70  
Fax: +32 3 740 79 79  
E-mail: info@ejot.be  
Internet: www.ejot.be

 **BRAZIL**  
EJOT & Fey Ltda.  
Rod BR 470, 2451 - Rio Morto  
Indaial - SC, 89130-000,  
Brasil  
Phone: +55 47 3281-7000  
E-mail: info@ejot.com.br  
Internet: www.ejot.com.br

 **BULGARIA**  
EJOT Bulgaria EOOD & Ko KD  
Gurmazovsko shose No 96  
2227, Bozhurishte  
Phone: +359 2421 96 37  
Fax: +359 2421 96 37  
E-mail: mail@ejot.bg

 **BOSNIA  
AND HERZEGOVINA**  
EJOT d.o.o. Sarajevo  
Rajlovacka b.b.  
BiH-71000 Sarajevo  
Phone: +387 33 782 760  
E-mail: ejot@ejot.ba

 **CANADA**  
EJOT Construction Fastening  
Systems Inc.  
50 Fleming Drive, Unit 4  
Cambridge, ON N1T 2B1  
phone: +1 226 499 9977  
e-mail: infoca@ejot.com  
Internet: www.ejot.com

 **CHINA**  
EJOT Fastening System (Taicang)  
Co., Ltd  
No.165 Fada Road Loudong Street  
Taicang, Jiangsu Province  
P.R. China 215413  
Phone: +86 512 53 56 52 90-105  
Fax: +86 512 53 56 62 92  
E-mail: info@ejot.cn  
Internet: www.ejot.cn

 **CROATIA**  
EJOT Spojna Tehnika d.o.o.  
Franje Lučića 23/3  
HR-10090 Zagreb  
Phone: +385 1 349 86 12  
Fax: +385 1 349 89 63  
E-mail: ejot@ejot.hr

 **CZECH REPUBLIC**  
EJOT CZ, s.r.o.  
Zdebradská 65  
CZ-25101 Říčany-Jažlovice  
Phone: +420 323 62 78 11  
Fax: +420 323 62 78 20  
E-mail: info@ejot.cz  
Internet: www.ejot.cz

 **DENMARK**  
EJOT Danmark ApS  
Industrisvinget 8  
DK-4683 Ronne  
Phone: +45 56 39 08 42  
Fax: +45 56 39 01 06  
E-mail: info@ejot.dk  
Internet: www.ejot.dk

 **FINLAND**  
Sormat Oy  
Harjutie 5  
FI-21290 Rusko  
Phone: +358 (0)207 94 0200  
Fax: +358 (0)201 76 3888  
E-mail: sormat@sormat.com  
Internet: www.sormat.com

 **FRANCE**  
EJOT France S.à.r.l.  
Z.I. de Villé - 5 rue du Climont  
B.P. 40023  
F-67220 Villé  
Phone: +33 388 58 92 00  
Fax: +33 388 58 92 01  
E-mail: info@ejot.fr  
Internet: www.ejot.fr

 **GERMANY**  
EJOT Construction Division  
In der Stockwiese 35  
D-57334 Bad Laasphe, Germany  
Phone: +49 2752 908-0  
fax: +49 2752 908-731  
e-mail: bau@ejot.com  
Internet: www.ejot.de

 **HUNGARY**  
EJOT Hungaria Kft.  
Leshegy út 16.  
H-2310 Szigetszentmiklós  
Phone: +36 30 546 6807  
E-mail: ejot@ejot.hu  
Internet: www.ejot.hu

 **INDIA**  
EJOT Fastening Systems Pvt. Ltd.  
A-501/502, Millennium Plaza,  
Sector-27, Gurgaon -1240022,  
Haryana, India  
phone: +91 124 4200 492  
fax: +91 124 4200 493  
e-mail: infolN@ejot.com

 **ITALY**  
EJOT S.A.S. di EJOT Tecnologie  
di fissaaggio S.R.L.  
Via Marco Polo 16  
I-35011 Campodarsego (PD)  
Phone: +39 049 98690 00  
E-mail: info@ejot.it  
Internet: www.ejot.it


 **JAPAN**  
EJOT Japan L.L.C.  
1742-1 Yamada,  
Kawagoe-Shi, Saitama-Ken,  
350-0822 Japan  
Phone: +81 49 227 9181  
Fax: +81 49 227 9112

 **MEXICO**  
EJOT ATF Fasteners de México  
y Compañía, S. en C.  
División Fijaciones para la  
Construcción  
Av. Del Siglo No. 180  
Parque Industrial Millennium  
San Luis Potosí S.L.P.  
C.P. 78395 México  
Phone: +52 444 8 70 82 25  
E-mail: info@ejot-atf.com  
Internet: www.ejot-atf.com

 **NORWAY**  
EJOT Festesystem A/S  
Aslakveien 20A  
N-0701 Oslo  
Phone: +47 23 25 30 40  
Fax: +47 23 25 30 41  
E-mail: festesystem@ejot.no  
Internet: www.ejot.no

 **POLAND**  
EJOT Polska  
Spółka z ograniczoną  
odpowiedzialnością Spółka  
komandyto  
Ul. Jeżowska 9  
PL-42-793 Ciasna  
Phone: +48 34 351 06 60  
Fax: +48 34 353 54 10  
E-mail: ejot@ejot.pl  
Internet: www.ejot.pl

 **ROMANIA**  
EJOT Romania SRL  
Str. Depozitelor 27  
RO-110078 Pitesti  
Phone: +40 248 223 886  
Fax: +40 248 223 887  
E-mail: info@ejot.ro

 **RUSSIA**  
OOO EJOT WOSTOK  
105523 Moscow, Russia  
Schelkovskoe highway, 100 bld. 7  
Office 5111  
Phone: +7 495 259 09 09  
Fax: +7 495 259 09 09  
E-mail: info@ejot.ru  
Internet: www.ejot.ru

 **SERBIA**  
EJOT Tehnika spajanja d.o.o.  
Autoput Beograd-Novi Sad  
296X  
SCG-Serbia, 11080 Zemun  
Phone: +381 11 748 60 82  
Fax: +381 11 748 00 56  
E-mail: info@ejot.rs

 **SLOVAKIA**  
EJOT Slovakia, s.r.o.  
Juzná trieda 82 (Areal VSS)  
SK-04017 Košice  
Phone: +421 55 622 17 60  
Fax: +421 55 678 09 57  
E-mail: info@ejot.sk  
Internet: www.ejot.sk

 **SPAIN**  
EJOT Ibérica, S.L.U.  
C/ Chile, 4 edificio II - oficina 30  
E-28290 Las Matas (Las Rozas)  
Madrid  
Phone: +34 916 300 822  
Fax: +34 911 383 815  
E-mail: info@ejot.es  
Internet: www.ejot.es


 **SWEDEN**  
EJOT Sverige AB  
Sandtagsvägen 9  
S-70236 Örebro  
Phone: +46 19 20 65 00  
Fax: +46 19 20 65 28  
E-mail: info@ejot.se  
Internet: www.ejot.se

 **SWITZERLAND**  
EJOT Schweiz AG  
Uttwiler Strasse 3  
CH-8582 Dozwil  
Phone: +41 71 414 52 22  
Fax: +41 71 414 52 50  
E-mail: info@ejot.ch  
Internet: www.ejot.ch

 **TAIWAN**  
EJOT Taiwan Branch  
4No. 8, Aly. 81, Ln. 296, Xinya Rd.,  
Qianzhen Dist. 80673 Kaohsiung,  
Taiwan, R.O.C.  
Phone: +886 7 811 08 18  
e-mail: ithiel@ejot.com

 **TURKEY**  
EJOT Tezmaç  
Cebeci Cad. No. 84  
TR-34250 Küçükköy-Istanbul  
Phone: +90 212 477 77 92-95  
Fax: +90 212 538 00 93  
E-mail: info@ejot-tezmaç.com  
Internet: www.ejot-tezmaç.com

 **UNITED ARAB  
EMIRATES**  
EJOT Middle East FZE  
Sharjah Airport International  
Free Zone  
P.O. Box 120588 Sharjah  
United Arab Emirates  
Phone: +971 6 557 97-70  
Fax: +971 6 557 97-75  
E-mail: info@ejot.ae  
Internet: www.ejot.com

 **UNITED KINGDOM**  
EJOT U.K. Ltd.  
Hurricane Close  
Sherburn Enterprise Park  
Sherburn-in-Elmet  
Leeds, LS25 6PB, GB  
Phone: +44 1977 68 70 40  
Fax: +44 1977 68 70 41  
E-mail: info@ejot.co.uk  
Internet: www.ejot.co.uk

 **USA**  
EJOT Fastening Systems L.P.  
9900 58th Place, Suite 100  
Kenosha, Wisconsin 53144 USA  
Phone: +1 262 612 35 50  
Fax: +1 262 721 12 45  
E-mail: info@ejot-usa.com  
Internet: www.ejot-usa.com

A member company of  
 **GFA** GLOBAL FASTENER ALLIANCE®  
www.globalfasteneralliance.com



**EJOT Baubefestigungen GmbH**

In der Stockwiese 35

D-57334 Bad Laasphe, Germany

Phone: +49 2752 908-0

Fax: +49 2752 908-731

E-Mail: [bau@ejot.com](mailto:bau@ejot.com)

Website: [www.ejot.com](http://www.ejot.com)